



Nova Filtration Technologies

MULTI-CARTRIDGE FILTER VESSEL

304 & 316 SS COMMERCIAL (NON-ASME CODE)

FEATURES:

- Convertible Design Allows For Use Of Both DOE & SOE Cartridges
- Swing Bolted O-Ring Closure Seal provides Quick & Positive Seal And Easy Access To The Vessel Interior & Filter Cartridges
- Both FNPT Threaded & Flanged Connections Are Available in Specific Models
- EPDM Seals Are Standard With Other Material Options Available
- Standard Threaded FNPT Vent & Drains
- Polished Exterior & Pickle Passivate Interior/Exterior For Enhanced Corrosive Resistance



SPECIFICATIONS:

- **Material Of Construction:** 304 Or 316 Stainless Steel
- **Maximum Allowable Pressure:** 150 PSI (10.3 Bar)
- **Maximum Allowable Temperature:** 300°F (149°C)
- **Typical Aqueous Flow:** 5 GPM Per 10" Length

APPLICATIONS:

- Potable Water
- Cutting Oils
- Solvents
- Coolants
- Process Water
- Coatings
- Lubricants
- Edible Oils

BUILDING A PART NUMBER

Nova	Filter Quantity	Filter Length	Inlet/Outlet Size	Inlet/Outlet Type	Outlet Configuration	Material	Pressure Rating
NFHSB	5	2	2	N	2	4	15
	5 Round = 5	10" = 1	2" = 2	N = NPT	Opposite Outlet = 2	304 SS = 4	150 PSI@300°F = 15
	7 Round = 7	20" = 2	3" = 3	F = Flange		316 SS = 6	
	11 Round = 11	30" = 3	4" = 4				
	19 Round = 19	40" = 4					

*Custom configurations may be available upon request

*10" and 20" Housings only available in 5 Round Housings

*5 Round & 7 Round Housings only available in 2" Inlet/Outlet NPT

*11 Round Housings only available in 3" Inlet/Outlet Flange

*19 Round Housings only available in 4" Inlet/Outlet Flange



Nova Filtration Technologies

MULTI-CARTRIDGE FILTER VESSEL

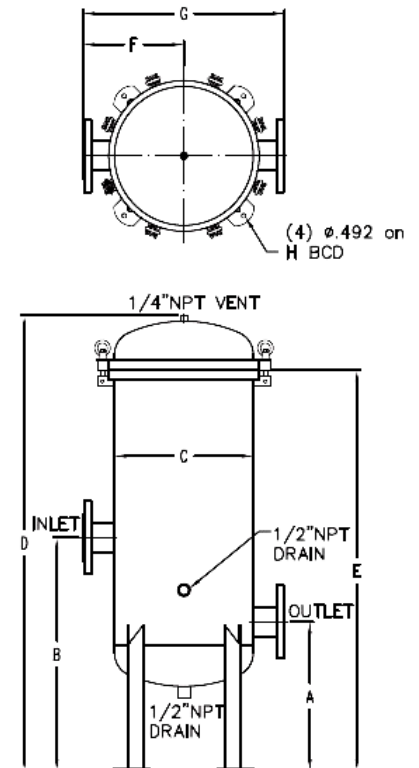
304 & 316 SS COMMERCIAL (NON-ASME CODE)

TYPICAL AQUEOUS FLOW	
Filter Quantity	Capacity (gpm)
5 Round x 10"	25
5 Round x 20"	50
5 Round x 30"	75
5 Round x 40"	100
7 Round x 30"	105
7 Round x 40"	140
11 Round x 30"	165
11 Round x 40"	220
19 Round x 30"	285
19 Round x 40"	380

O-RING TEMPERATURE GUIDE	
Material	Max. Temperature
EPDM (EPR)	300°F (149°C)
Nitrile (Buna-N)	250°F (121°C)
FKM (Viton®)	400°F (204°C)**

*EPDM O-Ring is Standard

**Vessel Temperature is limited to 300°F (149°C)



VESSEL DIMENSIONS

Model	A	B	C	D	E	F	G	H	Weight (lbs)
NFHSB512N2415	9.85	15.75	8.00	29.33	26.00	6.00	12.00	12.40	41
NFHSB522N2415	9.85	19.69	8.00	39.17	35.84	6.00	12.00	12.40	48
NFHSB532N2415	9.85	23.63	8.00	49.00	45.67	6.00	12.00	12.40	55
NFHSB542N2415	9.85	27.56	8.00	59.25	55.91	6.00	12.00	12.40	62
NFHSB732F2415	11.81	27.56	10.00	51.77	47.64	7.00	14.00	14.57	75
NFHSB742F2415	11.81	31.50	10.00	62.00	57.87	7.00	14.00	14.57	84
NFHSB1133F2415	14.17	27.56	12.00	55.71	50.79	9.14	18.24	16.54	115
NFHSB1143F2415	14.17	35.43	12.00	65.16	60.24	9.14	18.27	16.54	123
NFHSB1934F2415	15.75	31.50	15.91	58.47	52.56	11.90	23.79	20.87	161
NFHSB1944F2415	15.75	35.43	15.91	67.52	61.61	11.90	23.79	20.87	175

*Dimensions Applicable to 316 Stainless Steel Filter Housings