



# Nova Filtration Technologies

## MULTI-BAG FILTER VESSEL

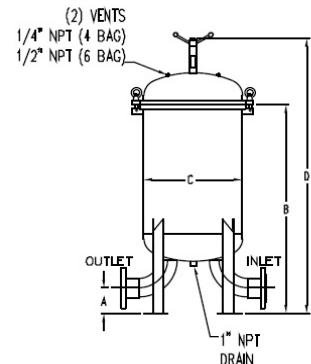
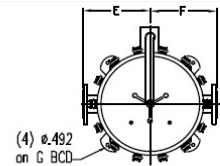
### 304 SS COMMERCIAL (NON-ASME CODE)

#### FEATURES:

- Swing Bolted O-Ring Closure Seal Provides Quick & Positive Seal & Easy Access To The Vessel Interior & Filter Bags
- Standard Stainless Steel Closure Bolt Hardware
- Flanged Inlet & Outlet Connections
- Standard Threaded FNPT Vent & Drains
- Bottom In-line Connection Design
- Polished Exterior & Pickle Passivate Interior/Exterior For Enhanced Corrosion Resistance

#### SPECIFICATIONS:

- **Material of Construction:** 304 Stainless Steel
- **Maximum Allowable Pressure:** 150 PSI (10.3 Bar)
- **Maximum Allowable Temperature:** 300°F (149°C)
- **Typical Aqueous Flow:**
  - Based on 160 GPM water per #2 Double Bag
    - 4 Multi-Bag Filter Vessel: 640 GPM
    - 6 Multi-Bag Filter Vessel: 960 GPM
- **Available O-Ring Gaskets:** EPDM (EPR), Nitrile (Buna-N) Or FKM (Viton®)



#### APPLICATIONS:

- Potable Water
- Process Water
- Cutting Oils
- Coatings
- Solvents
- Lubricant
- Coolants

#### BUILDING A PART NUMBER

Nova	Bag Size	Number of Bags	Multi-Bag	Material	Inlet/Outlet Size	Inlet/Outlet Type	O-Ring
NB	2	4	M	4	4	F	
	#2 = 2	4 Bags = 4 6 Bags = 6		304 SS = 4	4" = 4 6" = 6	Flange = F	EPDM Standard = BLANK  Buna-N = -BN  Viton® = -V

\*Custom configurations may be available upon request